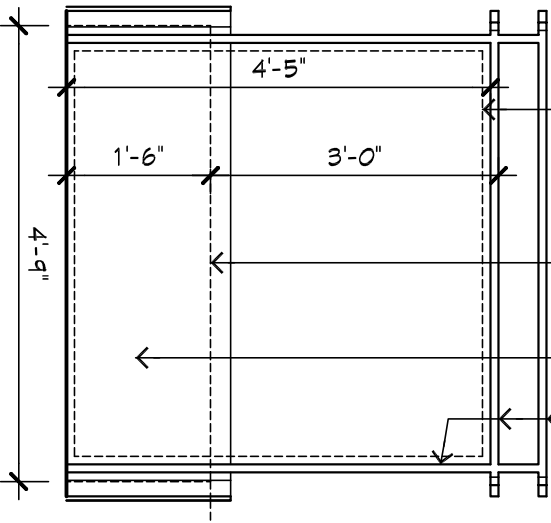


D

ELEVATION

SCALE: 1/2"=1'-0"

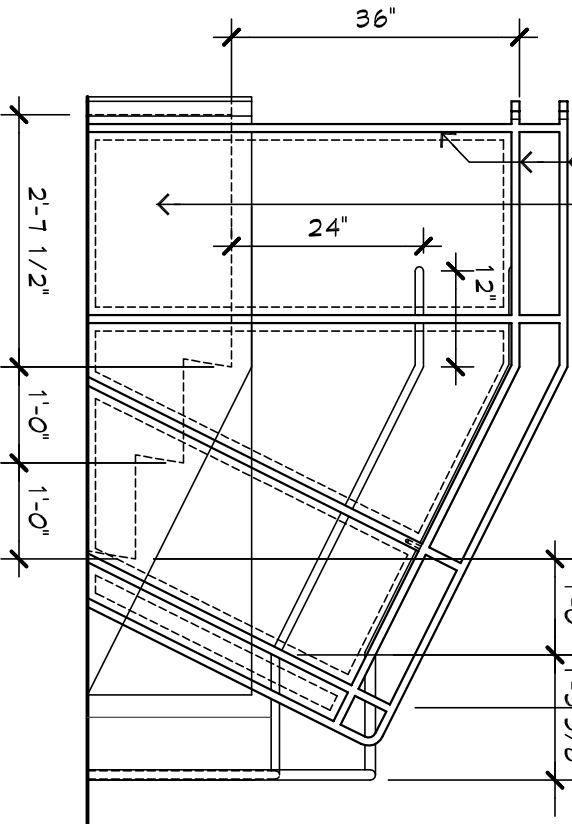


- POTENTIAL LOCATION FOR ART INSTALLATION
- FINISHED FLOOR
- 3/8" STEEL PLATE
- 1" SQR METAL RAIL-PAINTED

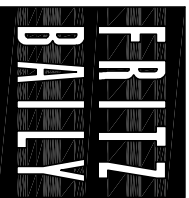
E

STAIR ELEVATION

SCALE: 1/2"=1'-0"



- 1" SQR METAL RAIL-PAINTED
- 3/8" STEEL PLATE



FRITZ BAILEY, P.C.
 1836 SOUTH BALTIMORE
 TULSA, OKLAHOMA 74119
 Phone: 918 485-3993
 Fax: 918 485-3994

DATE: JAN 21, 2008